

SOUTHLAND™

ILLUSTRATED PARTS BOOK

4-Cycle Lawn Edger

S-WLE-0799

SWLE0799

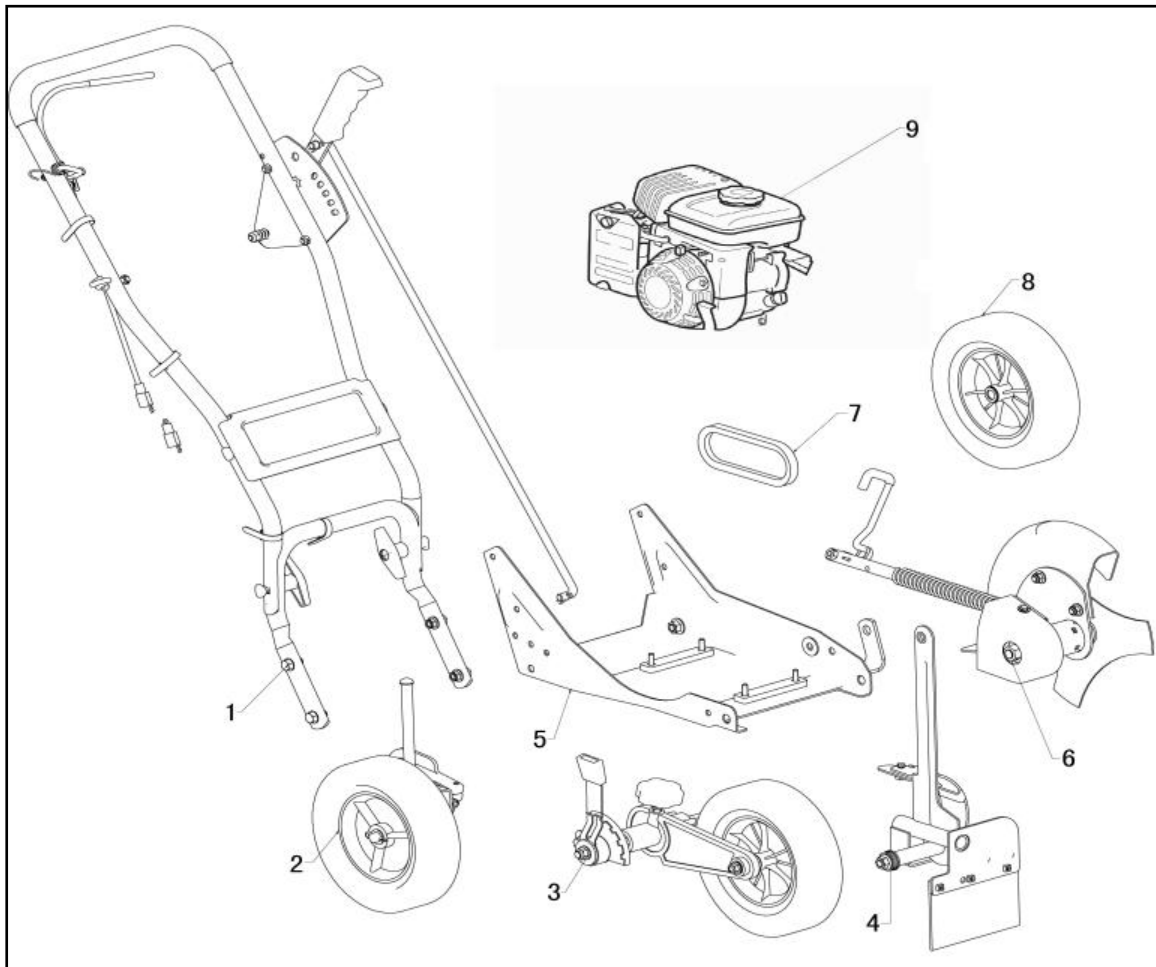
SWLE0799.1



Table of Contents

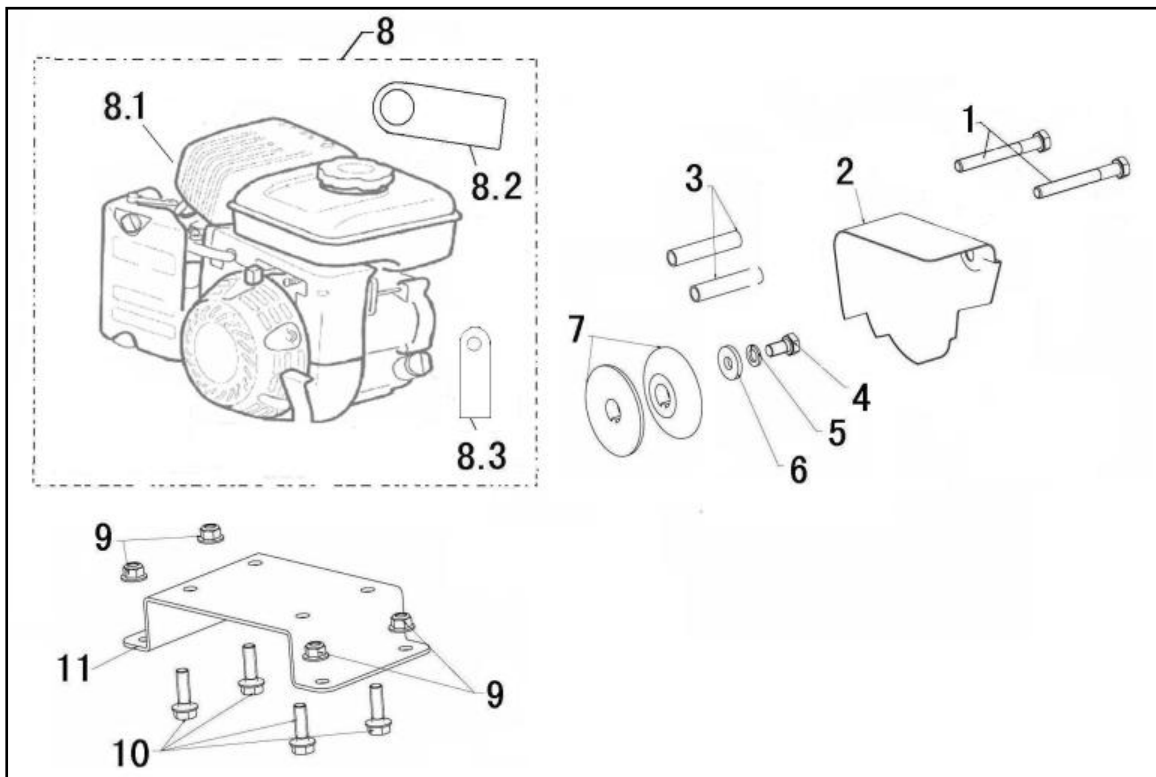
Top Level Assembly.....	2
Engine - Top Level Assembly	3
Quill Arm Assembly	4
Frame Assembly	5
Fixed Rear Wheel Assembly.....	6
Adjustable Rear Wheel Assembly	7
Front Wheel Assembly	8
Blade Arm Assembly.....	10
Handle Assembly.....	12
Engine - Sub Level Assembly	14
Piston / Connecting Rod Assembly	16
Crankcase Cover Assembly	17
Crankshaft Assembly	18
Air Filter Assembly.....	19
Carburetor Assembly	20
Centrifugal Assembly	21
Fly Wheel Assembly	22
Fuel Tank Assembly.....	23
Muffler Assembly.....	24
Engine Side Assembly.....	26
Cylinder Head Assembly.....	28
Crankcase Assembly.....	30

Top Level Assembly



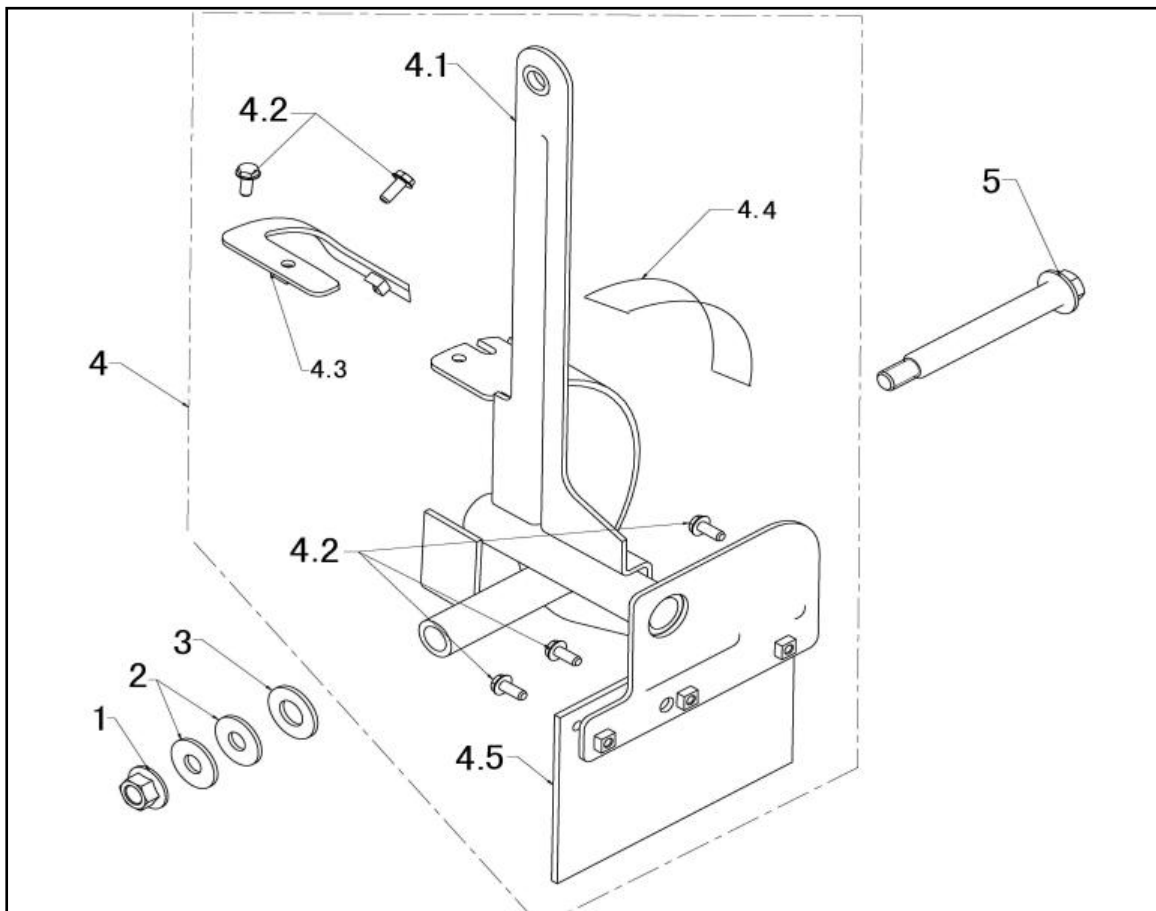
REF. NO.	DESCRIPTION	PART NO.	QTY
1	Handle Assembly	See Page 12	1
2	Adj. Rear Wheel Assembly	See Page 7	1
3	Front Wheel Assembly	See Page 8	1
4	Quill Arm Assembly	See Page 4	1
5	Frame Assembly	See Page 5	1
6	Blade Arm Assembly	See Page 10	1
7	Belt, Edger	A100493	1
8	Fixed Rear Wheel Assembly	See Page 6	1
9	Engine Top-Level Assembly	See Page 3	1

Engine – Top Level Assembly



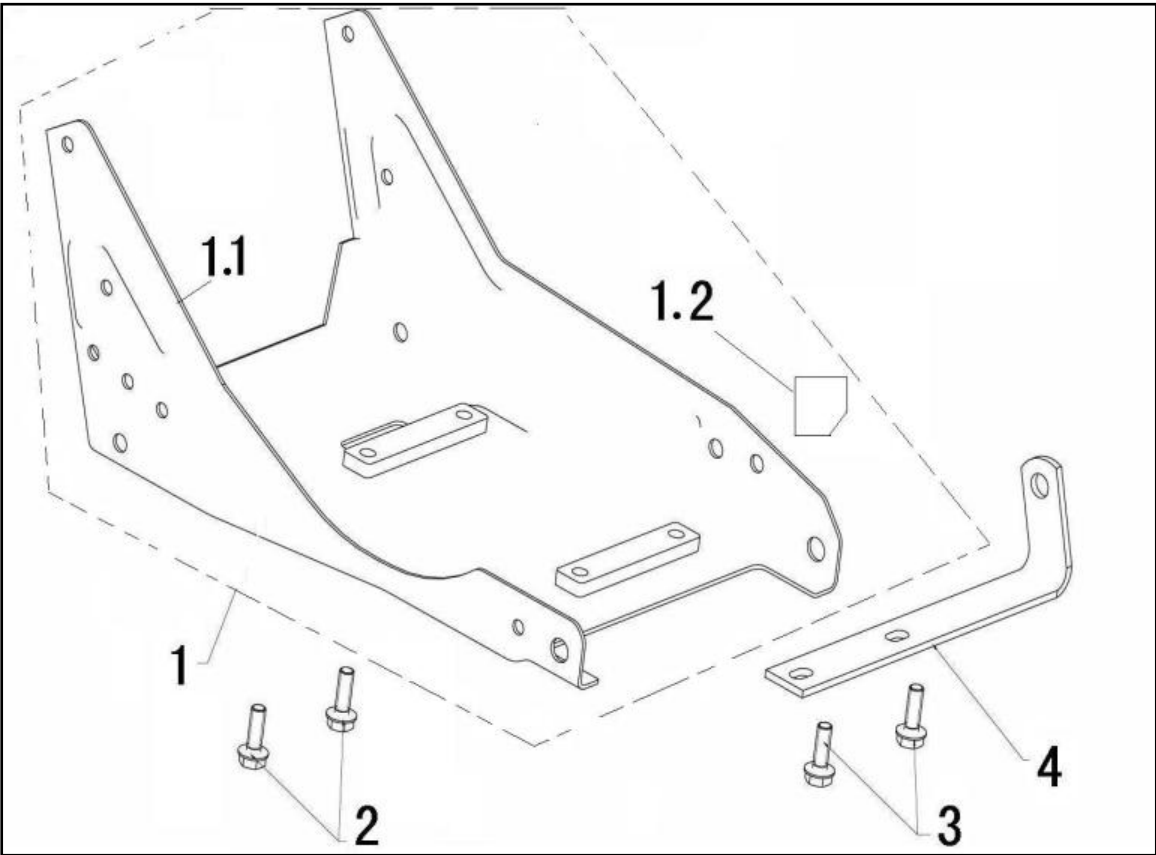
REF. NO.	DESCRIPTION	PART NO.	QTY
1	Bolt, M8X66	A100443	2
2	Cover, Engine Pulley	A100441	1
3	Spacer, Sleeve	A100442	2
4	Bolt, M8*1-20	A100444	1
5	Spring Washer 8	A100445	1
6	Flatwasher	A100446	1
7	Pulley, Half "V"	A100447	2
8	Engine Sub-level Assy w/ Labels	A100438	1
8.1	Engine Sub-Level Assembly	See Page 14	1
8.2	Oil Hang Tag - Fuel Tank	A101015	1
8.3	Oil Hang Tag - Oil Dipstick	A100979	1
9	Nut, M8	A100450	4
10	Bolt, M8X20	A100705	4
11	Mounting Bracket, Engine	A100451	1

Quill Arm Assembly



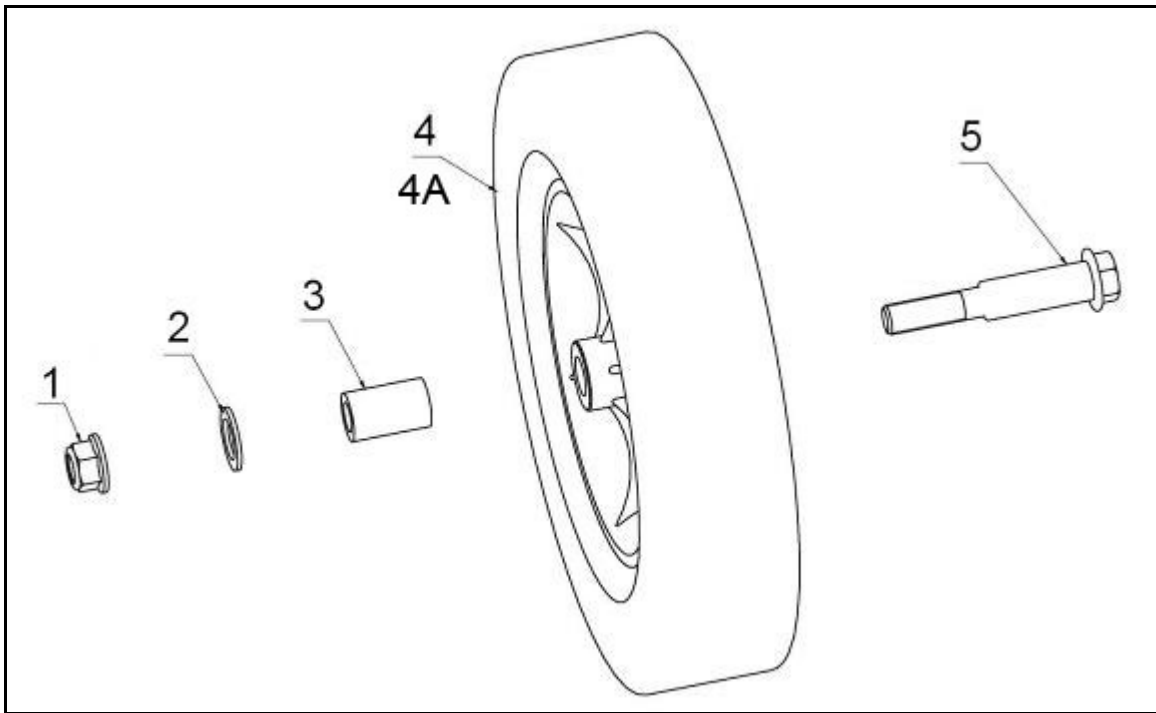
REF. NO.	DESCRIPTION	PART NO.	QTY
1	Nut, M10	A100712	1
2	Flatwasher	A100471	2
3	Flatwasher	A100470	1
4	Quill Support Assembly	A101118	1
4.1	Quill Support	A101119	1
4.2	Bolt, M5X12	A100472	5
4.3	Blade Angle Control Bracket	A101120	1
4.4	Label, Blade Angle	A101056	1
4.5	Rubber Deflector	A100468	1
5	Bolt	A100467	1

Frame Assembly



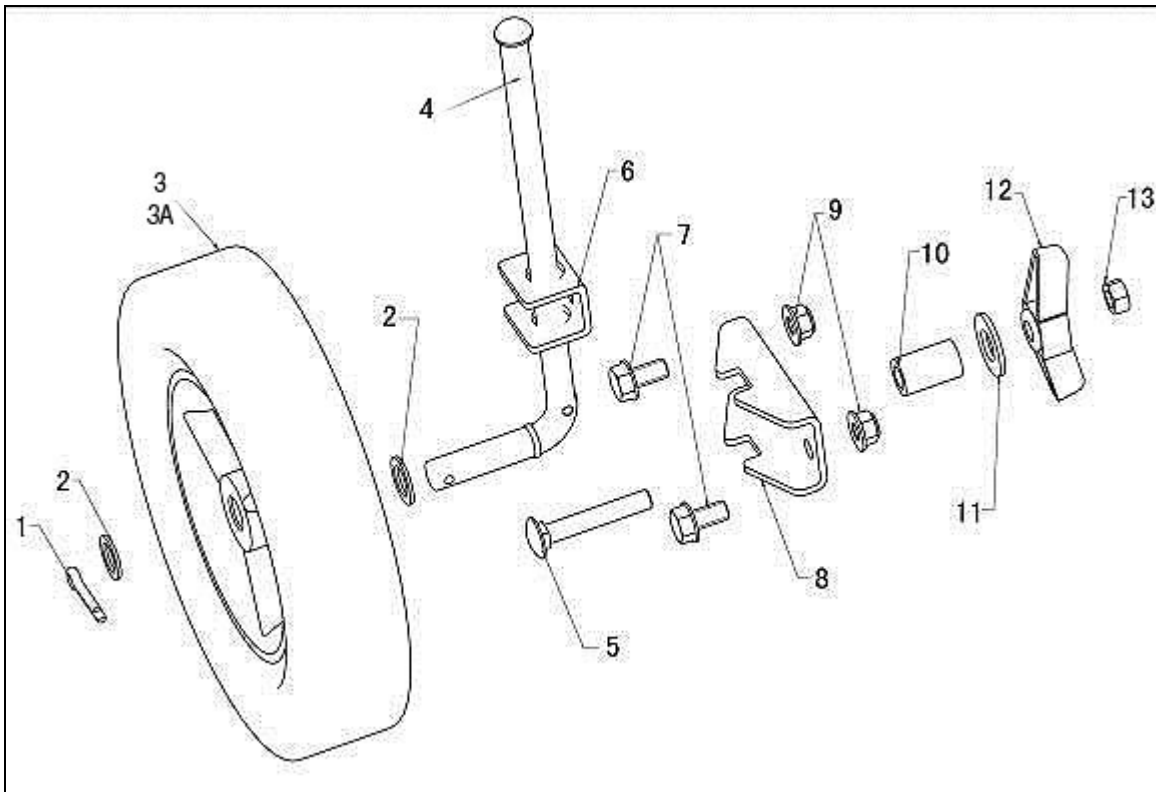
REF. NO.	DESCRIPTION	PART NO.	QTY
1	Frame Sub-Assembly	A101109	1
1.1	Frame	For Reference Only	1
1.2	Label, Oil Fill	A101019	1
2	Bolt, M8X25	A100489	2
3	Bolt, M8X30	A100488	2
4	Strap	A100469	1

Fixed Rear Wheel Assembly



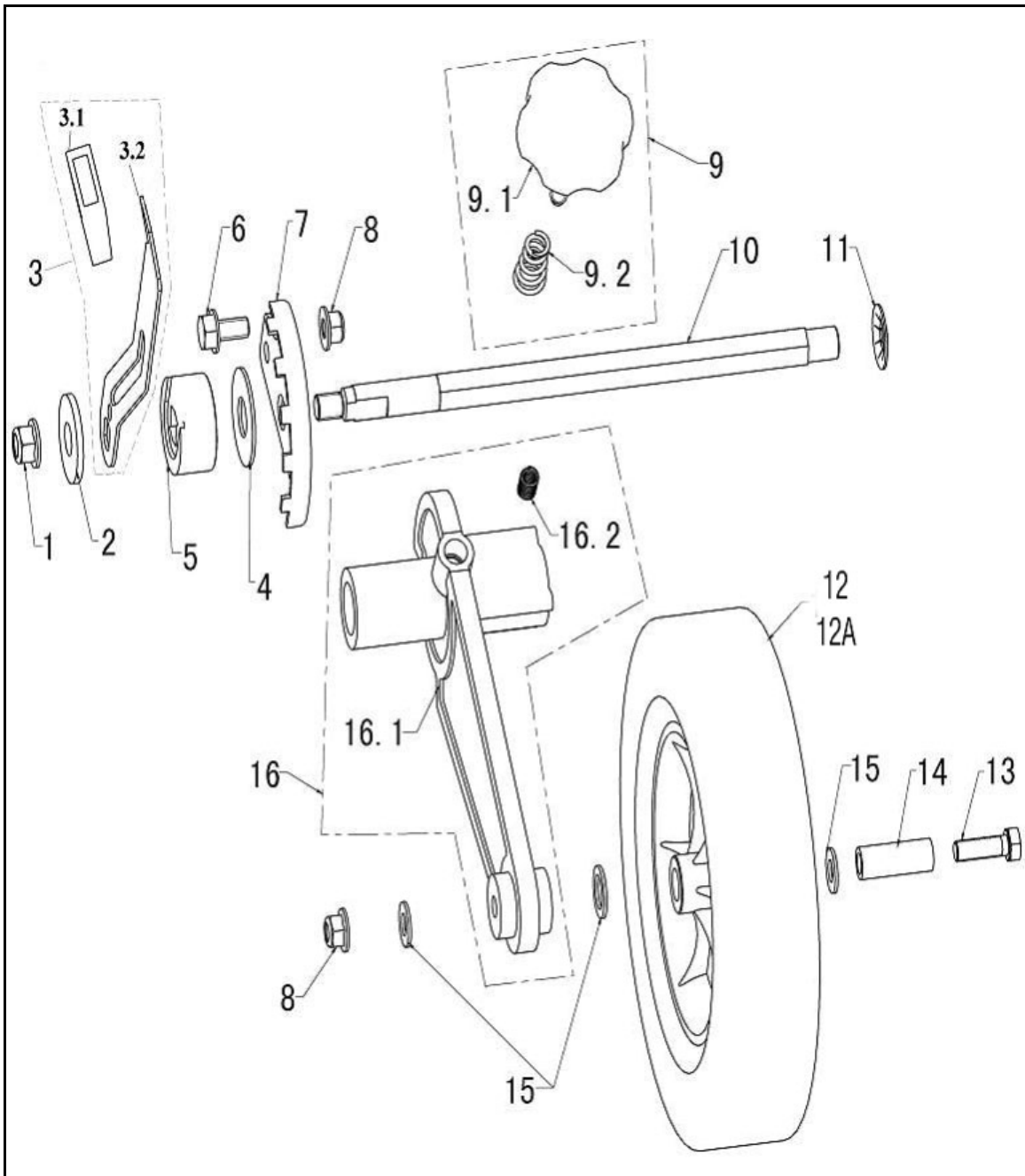
REF. NO.	DESCRIPTION	PART NO.	QTY
1	Nut, M10	A100712	1
2	Flatwasher	A100463	1
3	Spacer, Sleeve	A100464	1
4	Tire & Rim 8" O.D.	A100454	1
4A	Tire & Rim 7" O.D. (for SWLE0799.1)	A202052	1
5	Bolt	A100465	1

Adjustable Rear Wheel Assembly



REF. NO.	DESCRIPTION	PART NO.	QTY
1	Cotter Pin	A100452	1
2	Flatwasher	A100453	2
3	Tire & Rim 8" O.D.	A100454	1
3A	Tire & Rim 7" O.D. (for SWLE0799.1)	A202052	1
4	Rod, Wheel Support	A100455	1
5	Bolt, M8X50	A100457	1
6	Clevis	A100456	1
7	Bolt, M8X16	A100458	2
8	Bracket, Curb Hopping Mounting	A100459	1
9	Nut, M8	A100450	2
10	Spacer, Sleeve	A100460	1
11	Flatwasher	A100477	1
12	Knob, Wing, M8	A101111	1
13	Nut, M8	A100710	1

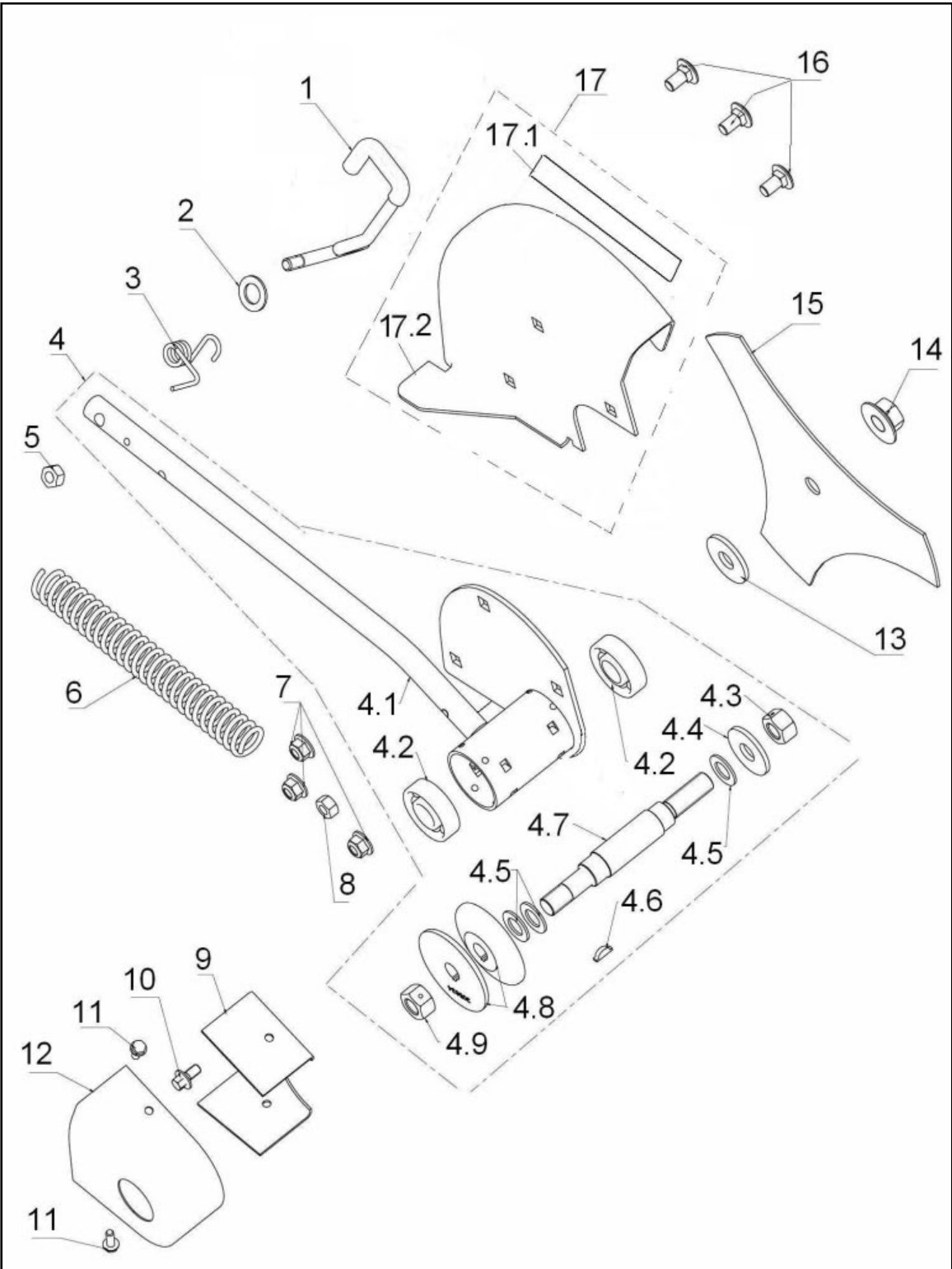
Front Wheel Assembly



Front Wheel Assembly

REF. NO.	DESCRIPTION	PART NO.	QTY
1	Nut, M10X1.25	A100708	1
2	Flatwasher	A100502	1
3	Lever, Height Adjust Assembly	A101112	1
3.1	Knob, Rectangle	A101113	1
3.2	Lever, Height Adjust	For Reference Only	1
4	Plastic Washer	A100486	1
5	Spacer, Height Adjust	A101024	1
6	Bolt, M8X16	A100458	1
7	Plate, Height Adjust	A101114	1
8	Nut, M8	A100450	1
9	Lateral Adj. Knob Assembly	A101115	1
9.1	Knob, Molded	For Reference Only	1
9.2	Spring	A101028	1
10	Shaft, Curb Hopping	A101029	1
11	Push Nut, Washer	A100473	1
12	Tire & Rim 8" O.D.	A100454	1
12A	Tire & Rim 7" O.D. (for SWLE0799.1)	A202052	1
13	Bolt, M8X76	A100480	1
14	Spacer, Sleeve	A100479	1
15	Flatwasher	A100477	3
16	Front Wheel Arm Assembly	A101117	1
16.1	Front Wheel Arm	For Reference Only	1
16.2	Insert, ST8X1.25	A100788	1

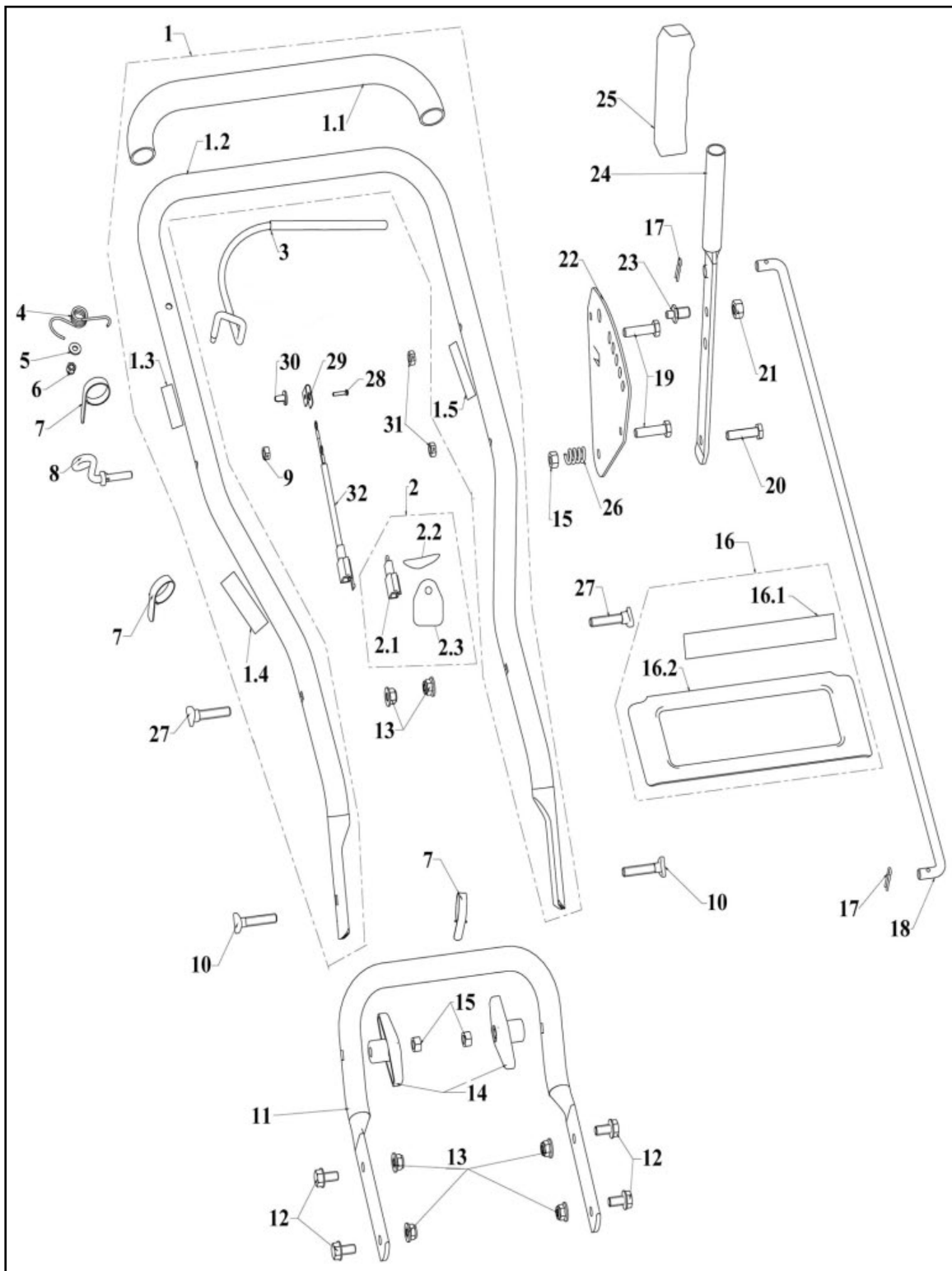
Blade Arm Assembly



Blade Arm Assembly

REF. NO.	DESCRIPTION	PART NO.	QTY
1	Lever Index	A101121	1
2	Flatwasher	A100477	1
3	Spring, Torsion	A100510	1
4	Drive Shaft Assembly	A100987	1
4.1	Blade Arm	A100988	1
4.2	Bearing, 6203-2RS	A100498	2
4.3	Nut, M12X1.25	A100496	1
4.4	Flatwasher	A100502	1
4.5	Flatwasher	A100497	3
4.6	Key	A100499	1
4.7	Drive Shaft	A100500	1
4.8	Pulley, Half "V"	A100989	2
4.9	Nut, M12X1.25	A100492	1
5	Nut, M8	A100710	1
6	Spring	A100507	1
7	Nut, M8	A100450	3
8	Nut, M6	A100791	1
9	Guide, Belt	A101122	1
10	Bolt, M6X25	A100495	1
11	Bolt, M5X12	A100472	2
12	Cover, Quill Pulley	A101123	1
13	Flatwasher	A100502	1
14	Nut, M12X1.25	A100704	1
15	Blade, Edger	A100503	1
16	Bolt, Carriage	A100504	3
17	Blade Guard Assembly	A101124	1
17.1	Label, Blade Danger	A100993	1
17.2	Blade Guard	For Reference Only	1

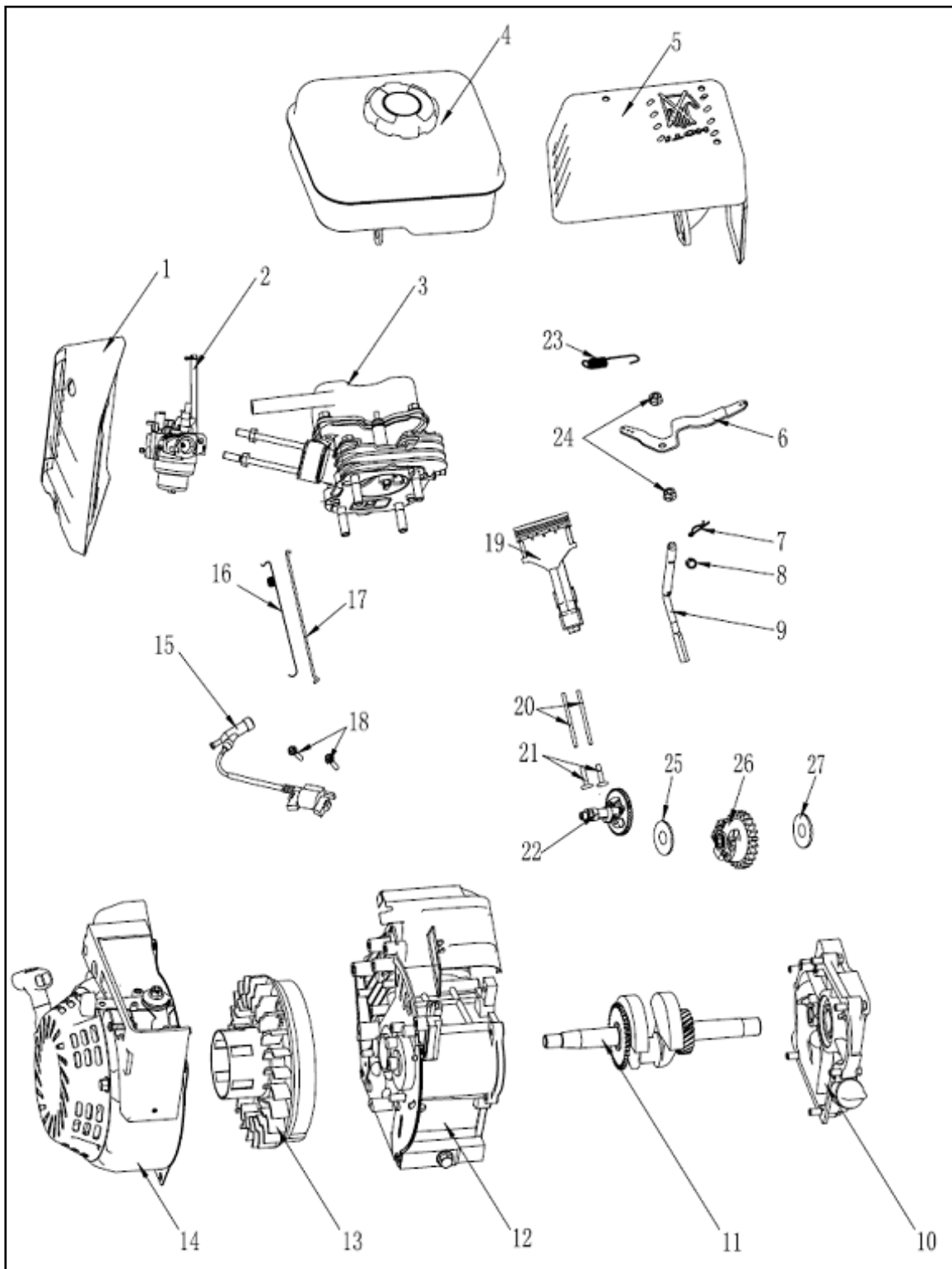
Handle Assembly



Handle Assembly

REF. NO.	DESCRIPTION	PART NO.	QTY
1	Upper Handle Assembly	A101032	1
1.1	Tubing, Foam (not included on SWLE0799.1)	A100511	1
1.2	Upper Handle	For Reference Only	1
1.3	Label, Start/Stop	A101034	1
1.4	Label, Wire Warning	A101035	1
1.5	Label, Cutting Depth	A101036	1
2	Grounding Terminal Assembly	A101037	1
2.1	Grounding Terminal	For Reference Only	1
2.2	Cable Tie	For Reference Only	1
2.3	Label, Wire Hang Tag	For Reference Only	1
3	Start Lever	A101041	1
4	Torsion Spring	A100513	1
5	Flatwasher	A100793	1
6	Nut, M5	A100517	1
7	Cable Tie	A100522	3
8	Guide, Rope	A100521	1
9	Nut, 1/4-20	A100707	1
10	Bolt	A100523	2
11	Lower Handle	A101042	1
12	Bolt, M8X16	A100458	4
13	Nut, M8	A100450	6
14	Knob, Wing	A101125	2
15	Nut, M8	A100710	3
16	Nameplate Assembly (not included on SWLE0799.1)	A101044	1
16.1	Label, Warning (not included on SWLE0799.1)	A101045	1
16.2	Nameplate (not included on SWLE0799.1)	For Reference Only	1
17	Hair Pin	A100533	2
18	Control Rod	A100534	1
19	Bolt, M6X32	A100528	2
20	Bolt, M8X30	A100709	1
21	Nut, M10	A100712	1
22	Depth Selector Plate	A101047	1
23	Stud	A100530	1
24	Depth Adjust Lever	A101048	1
25	Grip, Depth Lever	A101049	1
26	Spring, Compression	A100527	1
27	Bolt	A101050	2
28	Screw, ST3.5X12.7	A100518	1
29	Clip, Grounding	A100519	1
30	Insulator, Operator Control	A100516	1
31	Nut, M6	A100791	2
32	Flameout Wire	A101051	1

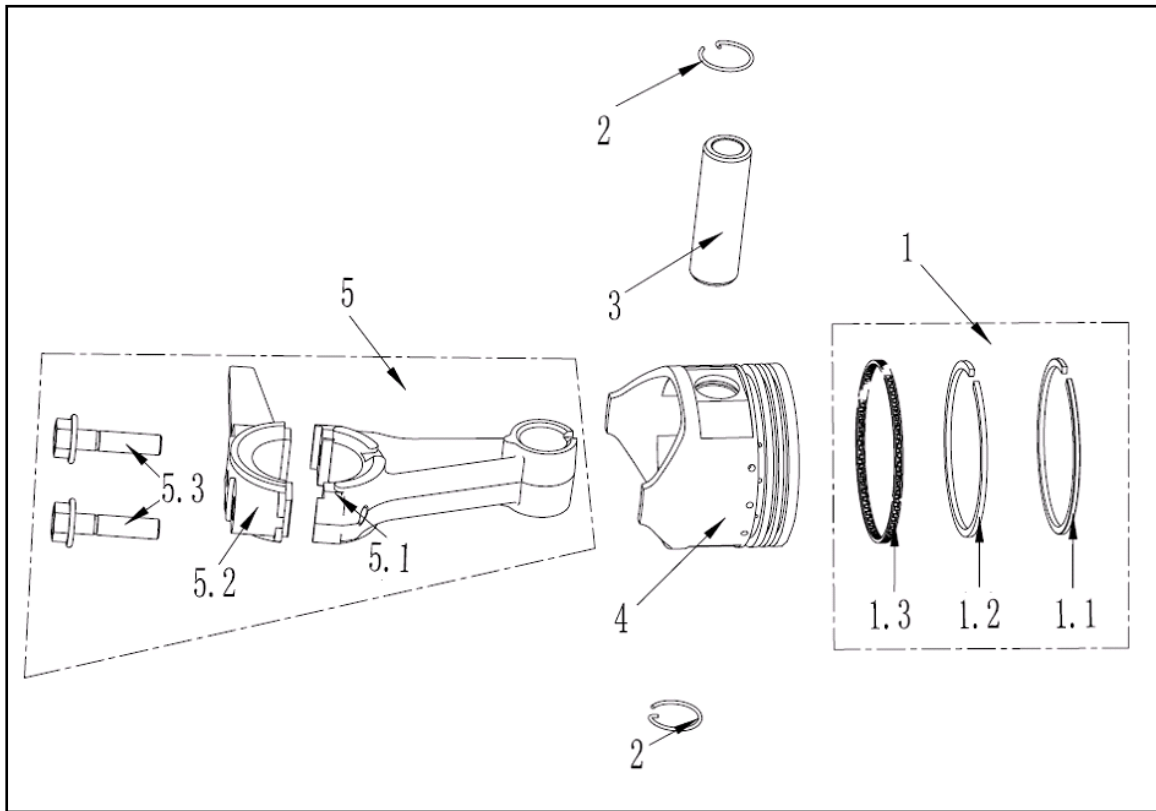
Engine - Sub Level Assembly



Engine – Sub Level Assembly

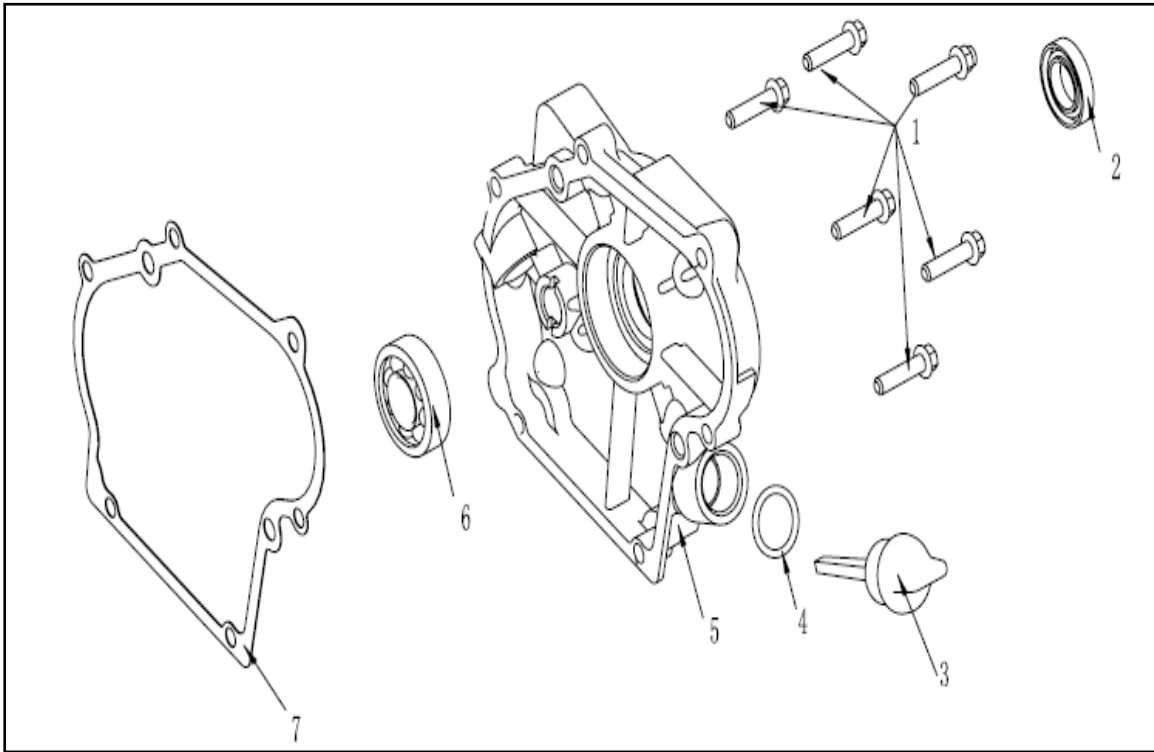
REF. NO.	DESCRIPTION	PART NO.	QTY
1	Air Filter Assembly	See Page 19	1
2	Carburetor Assembly	See Page 20	1
3	Cylinder Head Assembly	See Page 28	1
4	Fuel Tank Assembly	See Page 23	1
5	Muffler Assembly	See Page 24	1
6	Governor Arm	A100640	1
7	Hair Pin	A100636	1
8	Retaining Ring	A100773	1
9	Governor Crank	A100772	1
10	Crankcase Cover Assembly	See Page 17	1
11	Crankshaft Assembly	See Page 18	1
12	Crankcase Assembly	See Page 30	1
13	Fly Wheel Assembly	See Page 22	1
14	Engine Side Assembly	See Page 26	1
15	Ignition Coil	A101009	1
16	Spring 2, Tension	A100638	1
17	Rod, Tension	A100639	1
18	Bolt	A100724	2
19	Piston / Connecting Rod Assembly	See Page 16	1
20	Rod, Valve Timing	A100802	2
21	Stud, Connecting	A100752	2
22	Camshaft	A100753	1
23	Spring 1, Tension	A101010	1
24	Nut	A100637	2
25	Spacer 3	A100771	1
26	Centrifugal Assembly	A101011 – See Page 21	1
27	Spacer 2	A100774	1

Piston / Connecting Rod Assembly



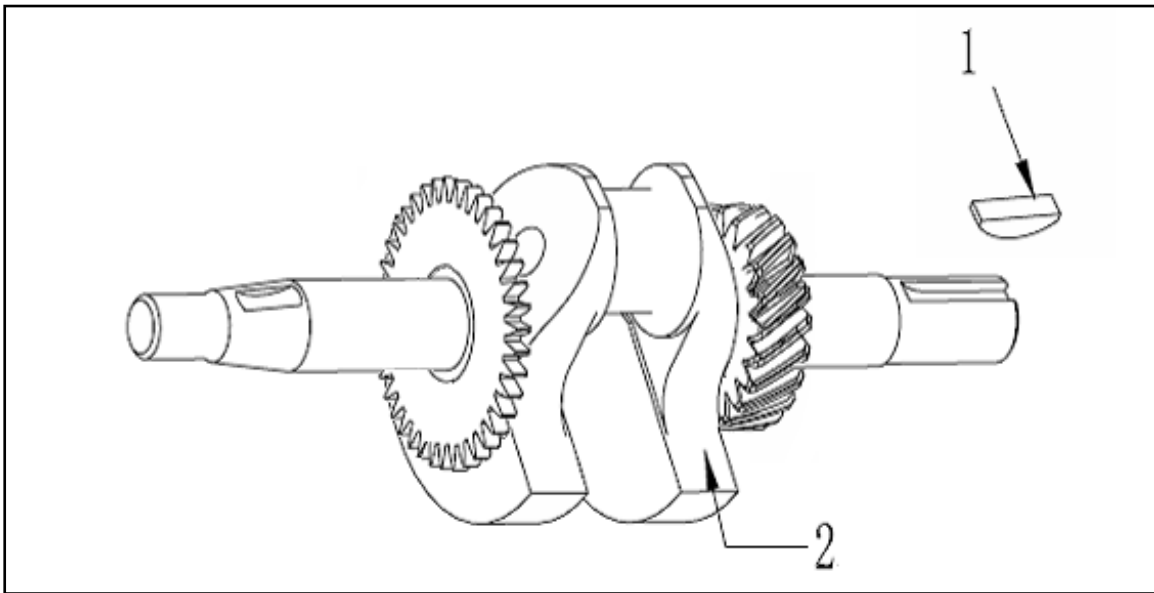
REF. NO.	DESCRIPTION	PART NO.	QTY
1	Piston Ring Assembly	A100762	1
1.1	Ring, First	For Reference Only	1
1.2	Ring, Second	For Reference Only	1
1.3	Oil Ring	For Reference Only	1
2	Circlip, Piston Pin	A100760	2
3	Pin, Piston	A100766	1
4	Piston	A100761	1
5	Connecting Rod Assembly	A100767	1
5.1	Connecting Rod Body	For Reference Only	1
5.2	Connecting Rod Cover	For Reference Only	1
5.3	Connecting Rod Bolt	For Reference Only	2

Crankcase Cover Assembly



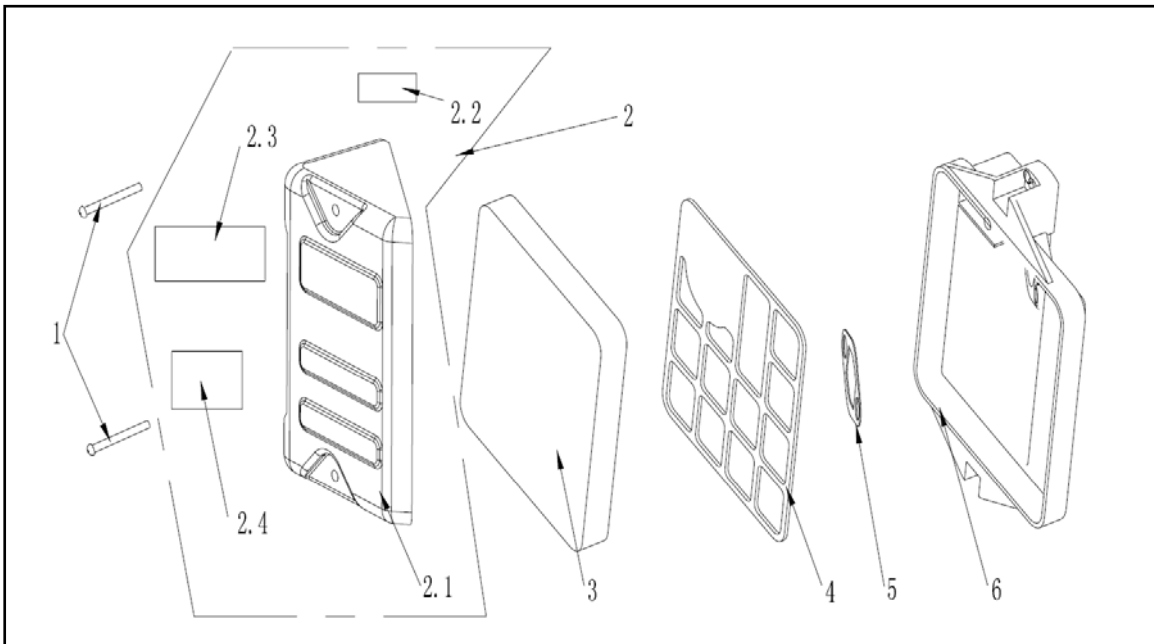
REF. NO.	DESCRIPTION	PART NO.	QTY
1	Bolt	A100715	6
2	Oil Seal	A100653	1
3	Dipstick	A100997	1
4	Oil Seal, dipstick	A100651	1
5	Cover, Crankcase	A100716	1
6	Bearing	A100720	1
7	Gasket, Crankcase	A100650	1

Crankshaft Assembly



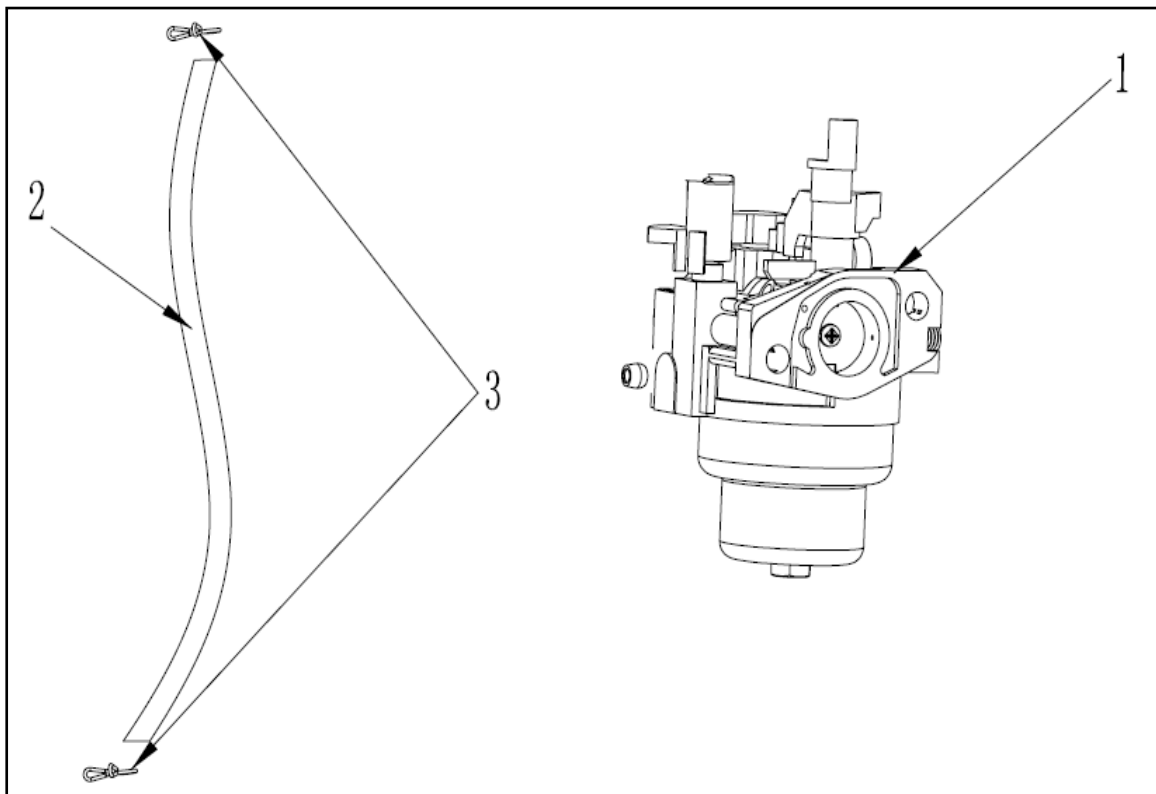
REF. NO.	DESCRIPTION	PART NO.	QTY
1	Key	A100641	1
2	Crankshaft	A100860	1

Air Filter Assembly



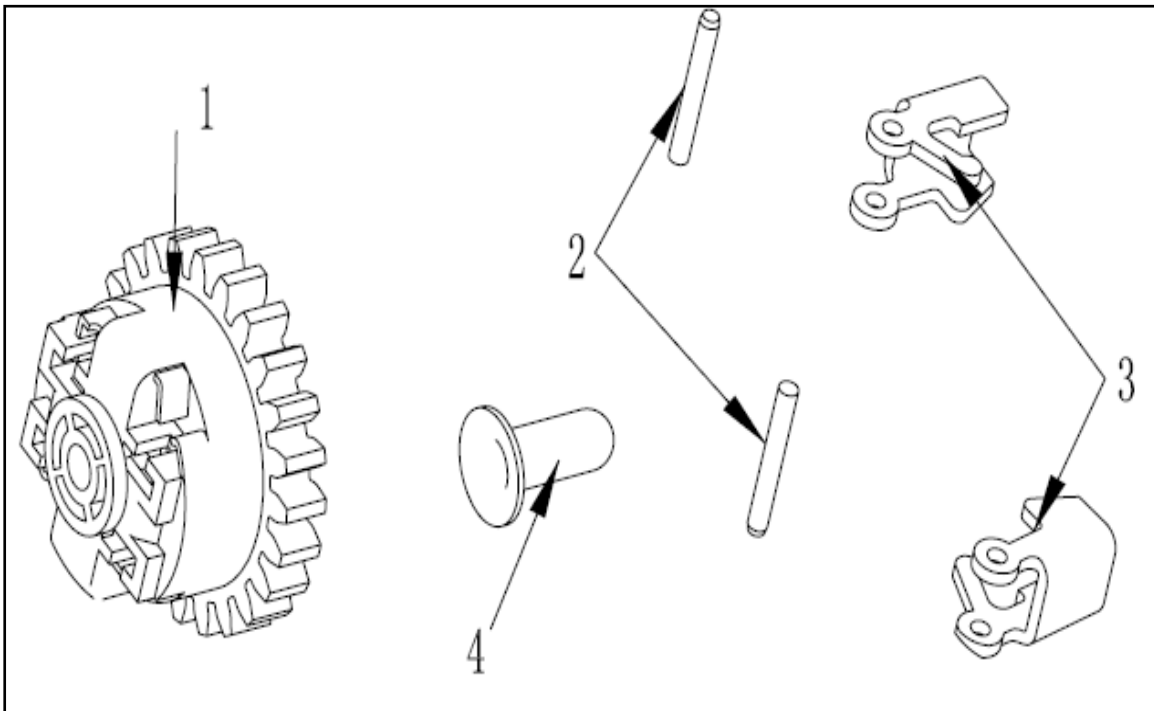
REF. NO.	DESCRIPTION	PART NO.	QTY
1	Bolt	A100628	2
2	Cover Assembly, Air Cleaner	A100982	1
2.1	Cover, Air Cleaner	For Reference Only	1
2.2	Label, Engine Choke	A100983	1
2.3	Label, Air Cleaner Maintenance	A101097	1
2.4	Label, Wheel Height	A100985	1
3	Air Cleaner Element	A100631	1
4	Sustain Board	A100629	1
5	Air Cleaner Gasket	A100627	1
6	Air Cleaner Housing	A100630	1

Carburetor Assembly



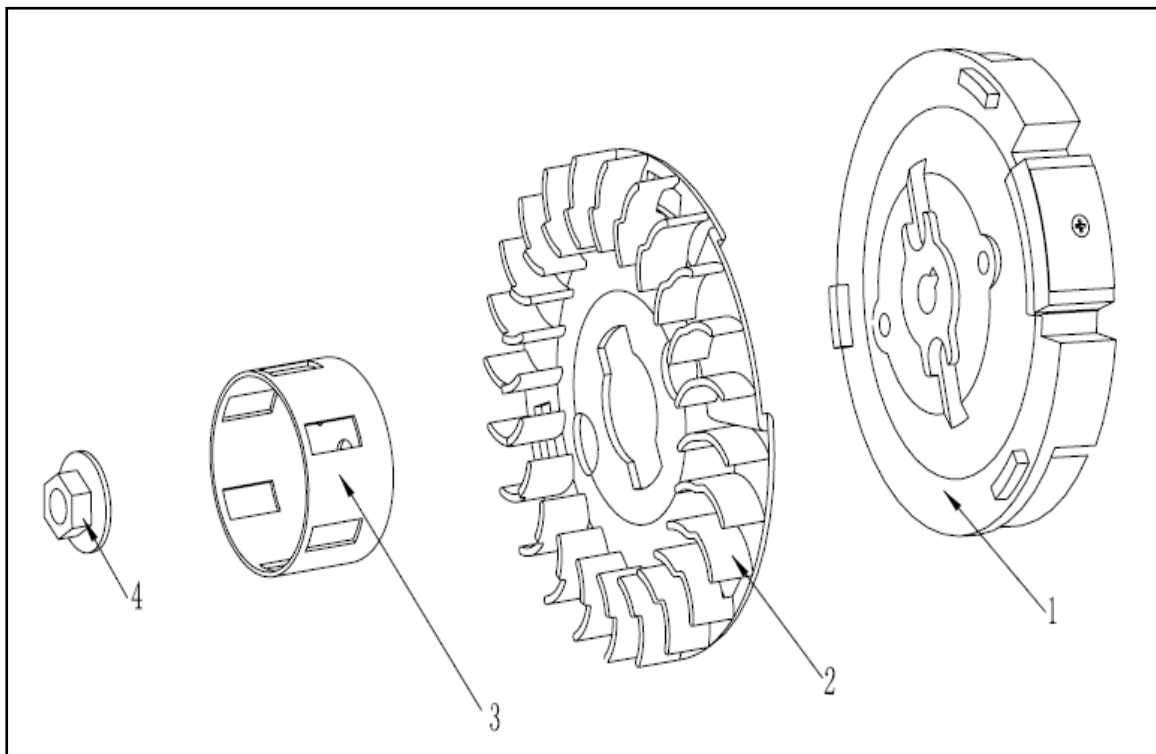
REF. NO.	DESCRIPTION	PART NO.	QTY
1	Carburetor	A100626	1
2	Hose, Fuel	A100625	1
3	Clamp, Fuel Line	A100624	2

Centrifugal Assembly



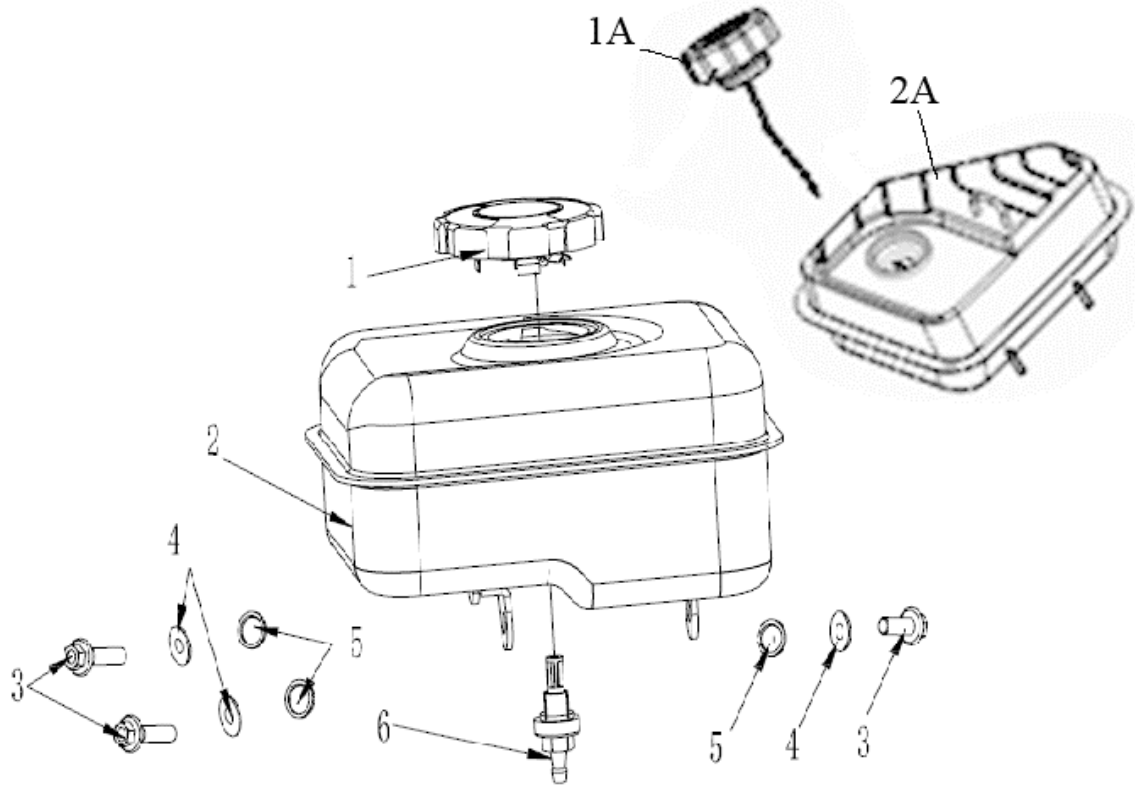
REF. NO.	DESCRIPTION	PART NO.	QTY
1	Body, Centrifugal Governor	For Reference Only	1
2	Pin	For Reference Only	2
3	Pawl	For Reference Only	2
4	Cover, Push Rod	For Reference Only	1

Fly Wheel Assembly



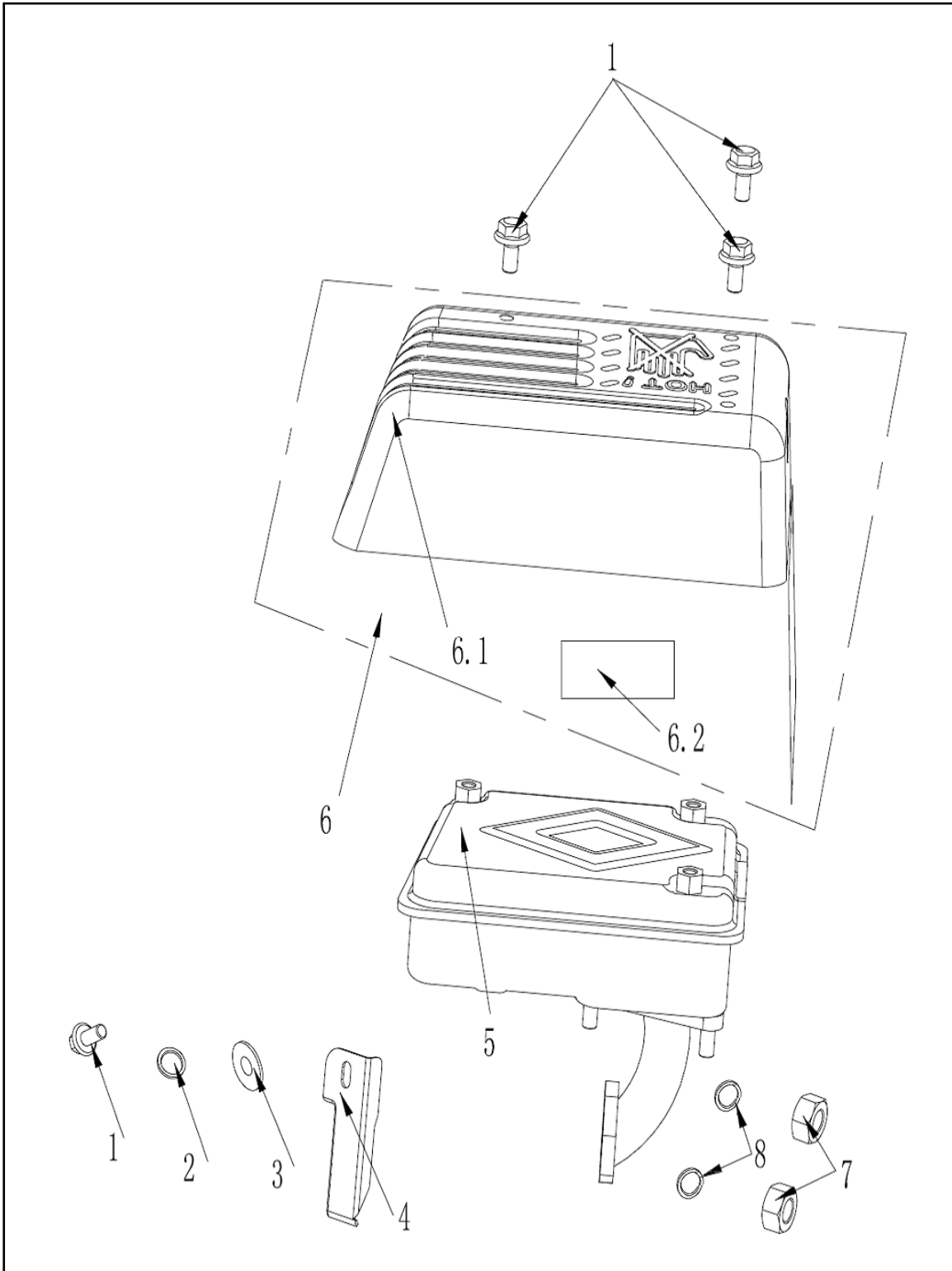
REF. NO.	DESCRIPTION	PART NO.	QTY
1	Fly Wheel	A100780	1
2	Fan	A100609	1
3	Starter Canister	A100785	1
4	Nut, Clamp	A100755	1

Fuel Tank Assembly



REF. NO.	DESCRIPTION	PART NO.	QTY
1	Fuel Tank Cap	A100622	1
1A	Fuel Tank Cap, 79cc Edger Horiz EPA3	A202712	1
2	Fuel Tank	A100783	1
2A	Fuel Tank, 79cc Edger Horiz EPA3	A202711	1
3	Bolt	A100718	3
4	Washer	A100714	3
5	Spring Washer	A100713	3
6	Fuel Line Fitting / Filter	A100782	1

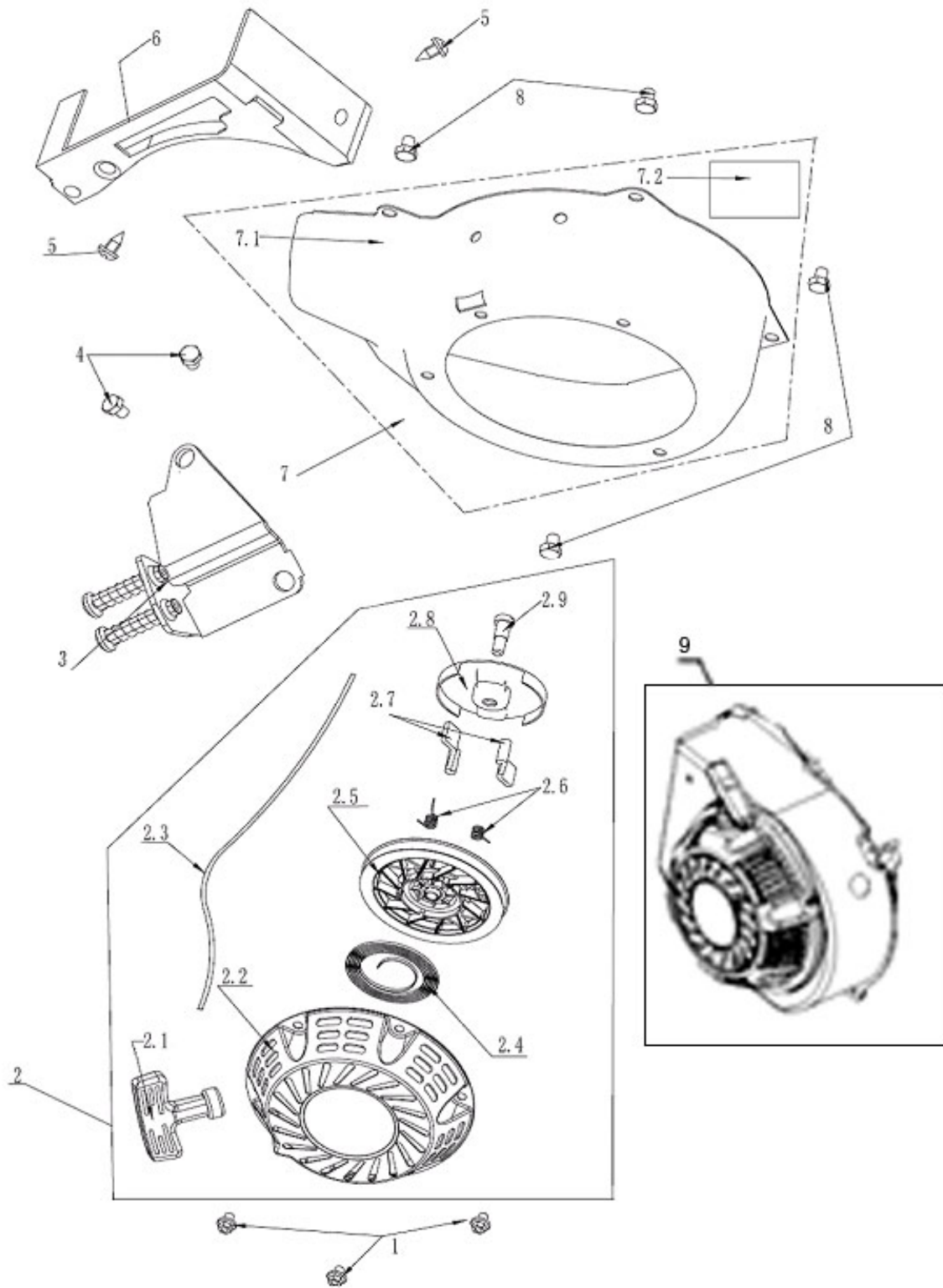
Muffler Assembly



Muffler Assembly

REF. NO.	DESCRIPTION	PART NO.	QTY
1	Bolt	A100610	4
2	Spring Washer	A100713	1
3	Washer	A100714	1
4	Muffler Bracket	A100781	1
5	Muffler	A100845	1
6	Muffler Cover Assembly	A101052	1
6.1	Muffler Cover	For Reference Only	1
6.2	Label, Hot Surface	A100978	1
7	Nut	A100736	2
8	Spring Washer	A100737	2

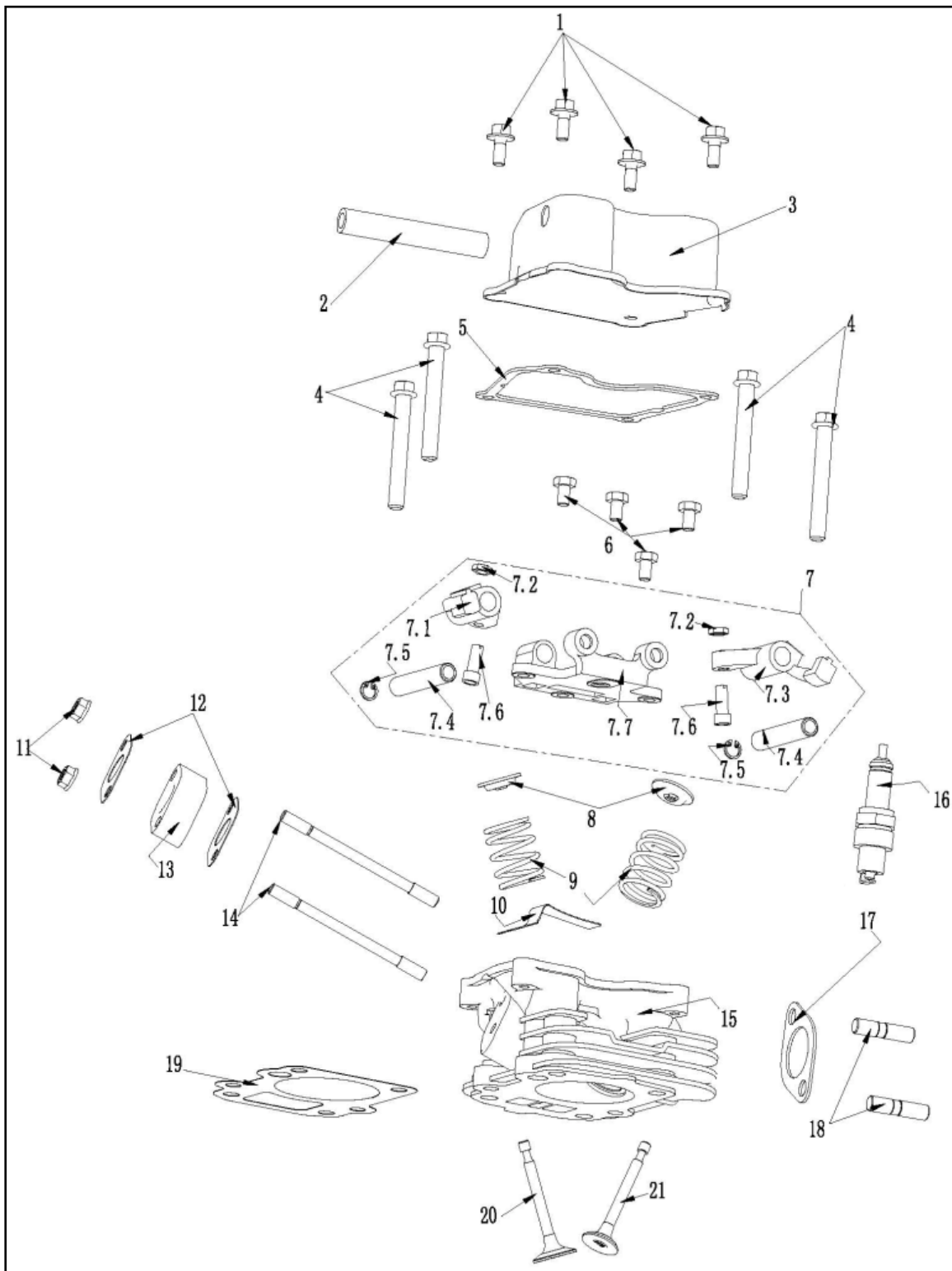
Engine Side Assembly



Engine Side Assembly

REF. NO.	DESCRIPTION	PART NO.	QTY
1	Bolt	A100607	3
2	Starter Assembly NOTE: See Ref. No. 9	A100998	1
2.1	Handle, Recoil Starter	A100980	1
2.2	Starter Cover	A100611	1
2.3	Starter Rope	A100999	1
2.4	Wind Spring	A101000	1
2.5	Spool	A100616	1
2.6	Spring, Return	A100615	2
2.7	Ratchet	A100612	2
2.8	Guide Pan	A100613	1
2.9	Screw	A100614	1
3	RPM Adj Mechanism	A101001	1
4	Bolt	A100607	2
5	Screw	A100605	2
6	Engine Side Panel	A100786	1
7	Engine Side Cover Assembly NOTE: See Ref. No. 9.	A101002	1
7.1	Engine Side Cover	A100608	1
7.2	Label, EPA + CARB	A101003	1
8	Bolt	A100610	4
9	Starter Assembly with Housing NOTE: For unit prior to 9/2009	A202475	1

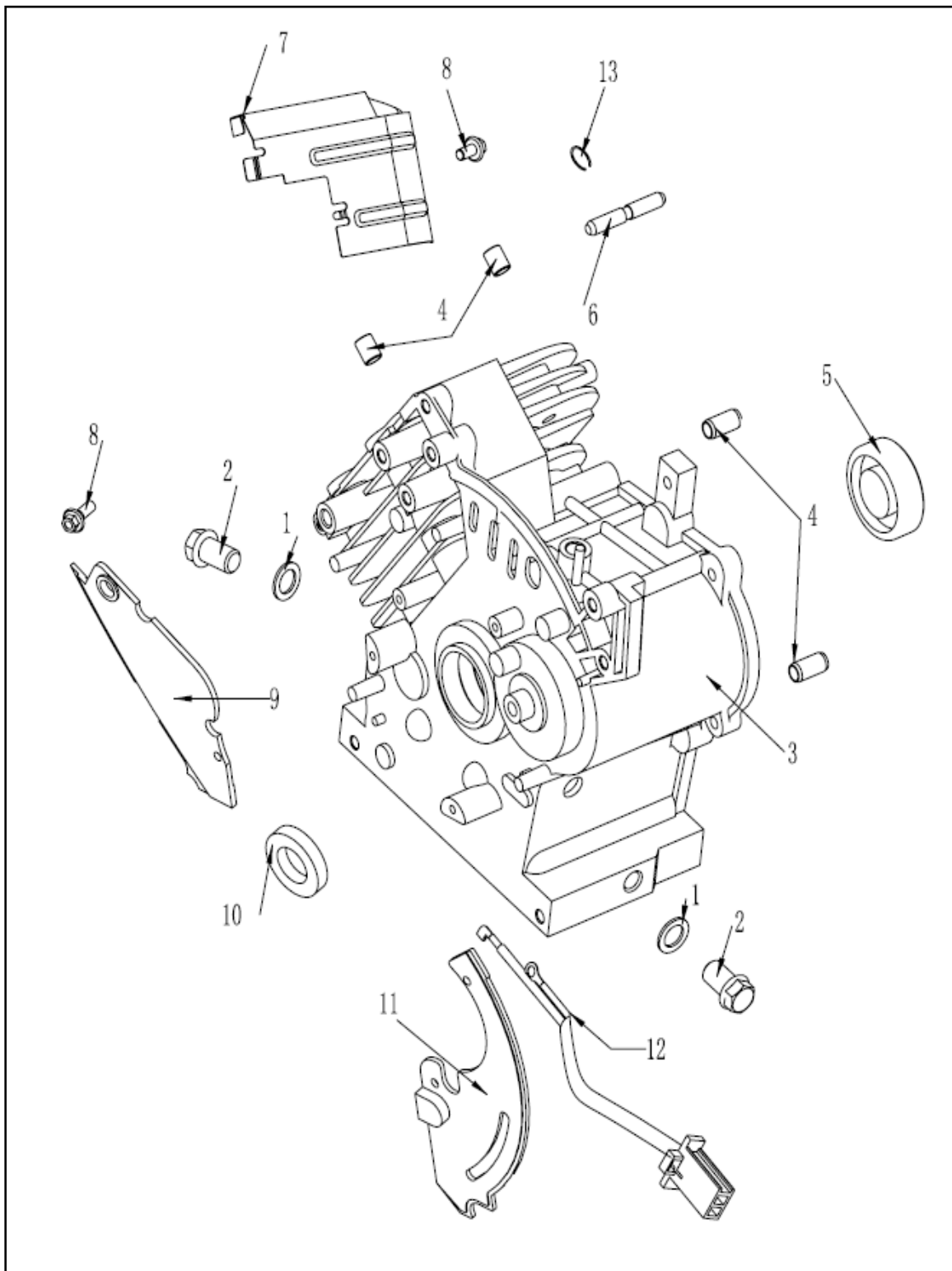
Cylinder Head Assembly



Cylinder Head Assembly

REF. NO.	DESCRIPTION	PART NO.	QTY
1	Bolt	A100610	4
2	Breather Tube	A100642	1
3	Cylinder Head Cover	A100645	1
4	Bolt, Cylinder Head	A100731	4
5	Gasket, Cylinder Head Cover	A100646	1
6	Bolt	A100754	4
7	Rocker Arm Assembly	A100738	1
7.1	Left Arm	For Reference Only	1
7.2	Adjusting Nut, Valve Clearance	For Reference Only	2
7.3	Right Arm	For Reference Only	1
7.4	Rocker Shaft	For Reference Only	2
7.5	Retaining Ring	For Reference Only	2
7.6	Adjusted Stud, Valve Clearance	For Reference Only	2
7.7	Rocker Bracket	For Reference Only	1
8	Upper Retainer, Door Spring	A100746	2
9	Spring, Valve	A100747	2
10	Retainer Intake Door Spring	A100749	1
11	Nut	A100734	2
12	Gasket, Inlet Pipe	A100648	2
13	Spacer, Heat insulating	A100647	1
14	Bolt, Intake Pipe	A100733	2
15	Cylinder Head	A100732	1
16	Spark Plug	A100643	1
17	Gasket, Exhaust Pipe	A100644	1
18	Bolt, Exhaust Pipe	A100735	2
19	Gasket, Cylinder Head	A100649	1
20	Valve, Intake	A100751	1
21	Valve, Exhaust	A100748	1

Crankcase Assembly



Crankcase Assembly

REF. NO.	DESCRIPTION	PART NO.	QTY
1	Washer, Drain Plug	A100721	2
2	Drain Plug	A100722	2
3	Crankcase Body	A100723	1
4	Guide Dowel	A100717	4
5	Bearing	A100719	1
6	Pin	A100728	1
7	Shield	A100727	1
8	Bolt	A100610	2
9	Crankcase Shield (I)	A100725	1
10	Oil Seal	A100653	1
11	Crankcase Shield (II)	A100726	1
12	Flameout Wire, Engine	A100996	1
13	Snap Spring	A100729	1